

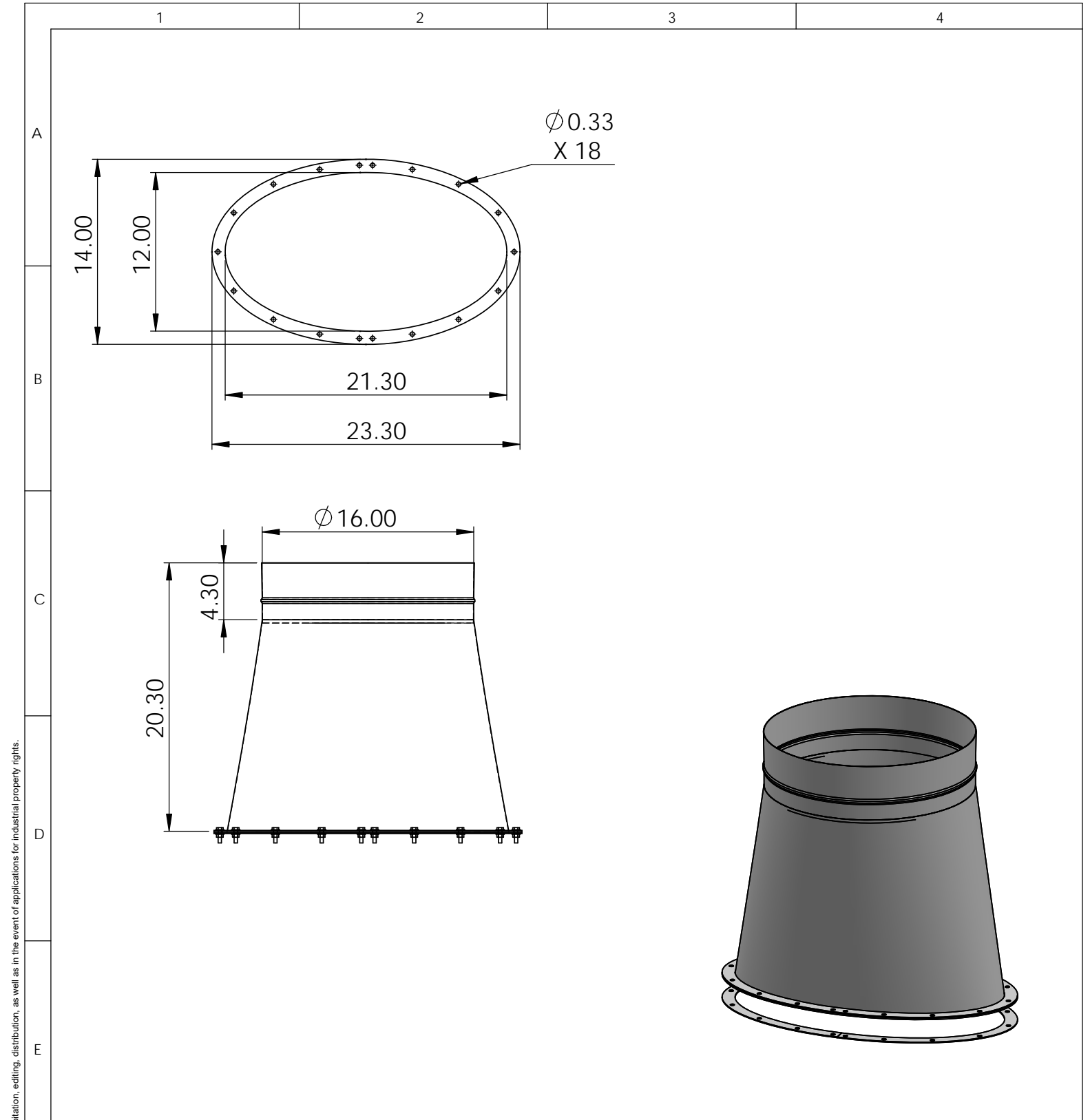
Grease Duct Spec

Model:


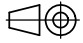
SW-NAKS-KIT010

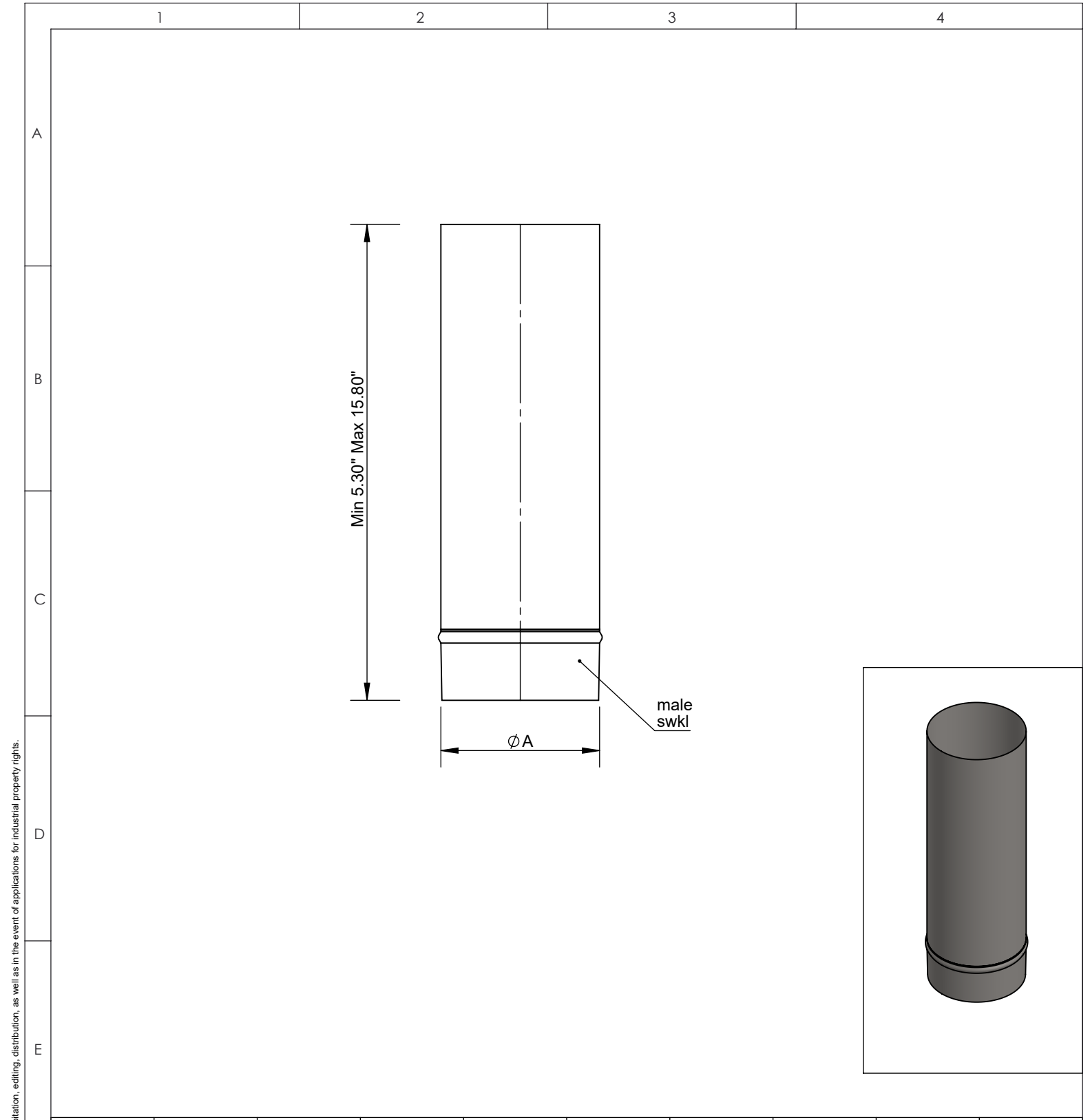
Single Wall Conical 16" Vertical





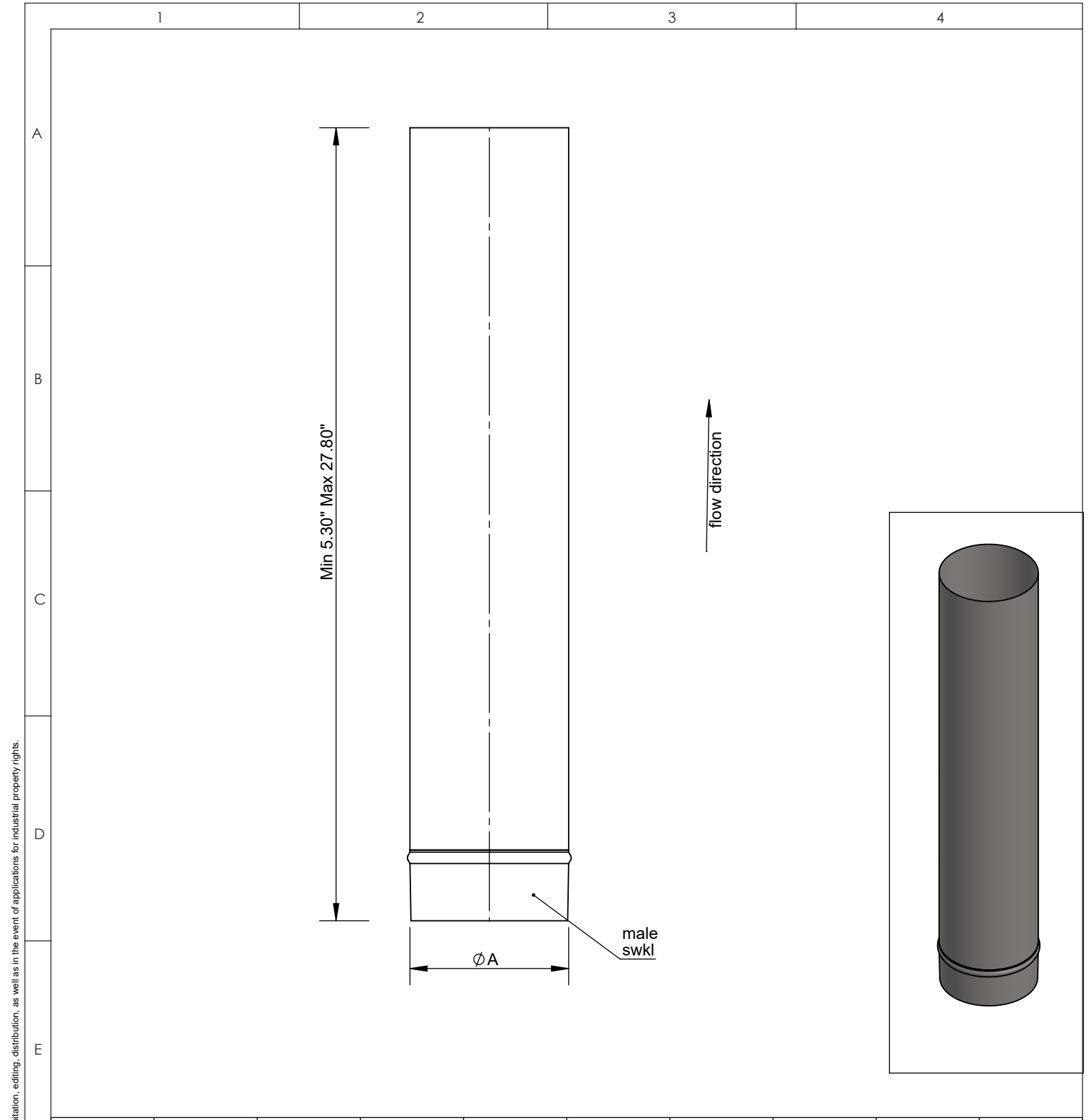
© NAKS Inc. All rights reserved, also regarding any disposal, exploitation, editing, distribution, as well as in the event of applications for industrial property rights.

	Ø	14	16	18	20	22	
	A	14	16	18	20	22	
F	material: inside/outside	304	inch / lb			 NORTH AMERICAN KITCHEN SOLUTIONS INCORPORATED	scale
	surface: inside/outside	BA	revisions-no.				format US LETTER
			date	name	description		sheet
			drawn by				
			checked by				
		approved by		code			
		modified by		SWNAKS16-NWHA			
				drawing no.			





© NAKS Inc. All rights reserved, also regarding any disposal, exploitation, editing, distribution, as well as in the event of applications for industrial property rights.

	Ø	10	11	12	13	14	16	18	20	22	
	A	10	11	12	13	14	16	18	20	22	
F	material: inside/outside	304		surface: inside/outside	BA		<div style="display: flex; align-items: center;"> <div> <p>NORTH AMERICAN KITCHEN SOLUTIONS INCORPORATED</p> </div> </div>				scale
	inch / lb		revisions-no.		A						format
	description		date		name		KAB		18" Cut Length		US LETTER
	drawn by		checked by		approved by		code		SWNAKSØ-18CL		sheet
	modified by		drawing no.								



© NAKS Inc. All rights reserved, also regarding any disposal, exploitation, editing, distribution, as well as in the event of applications for industrial property rights.

	Ø	10	11	12	13	14	16	18	20	22
	A	10	11	12	13	14	16	18	20	22
F	material: inside/outside		surface: inside/outside		inch / lb		 NORTH AMERICAN KITCHEN SOLUTIONS INCORPORATED			scale
	304		BA		revisions-no.					description
			date	name					sheet	
			drawn by						code	SWNAKSØ-30CL
			checked by						drawing no.	
		approved by								
		modified by								

1

2

3

4

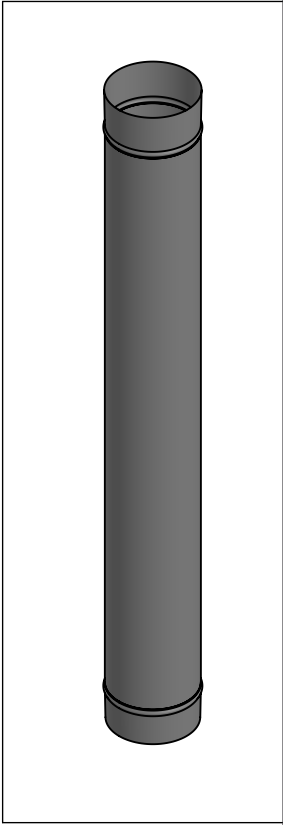
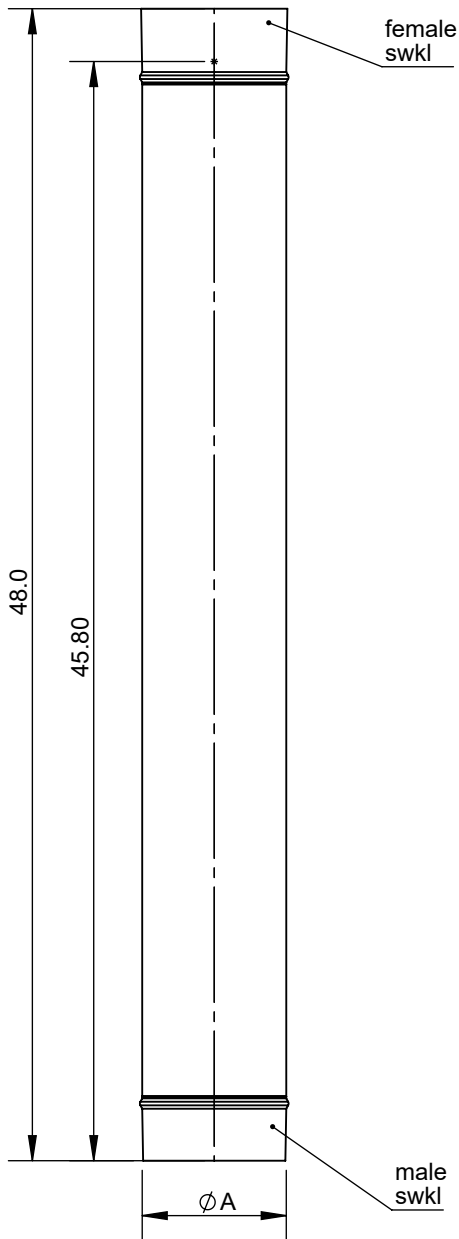
A

B

C



D

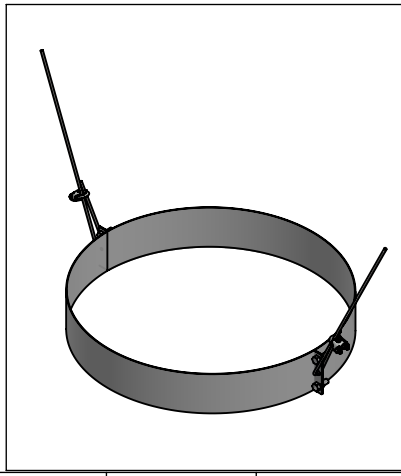
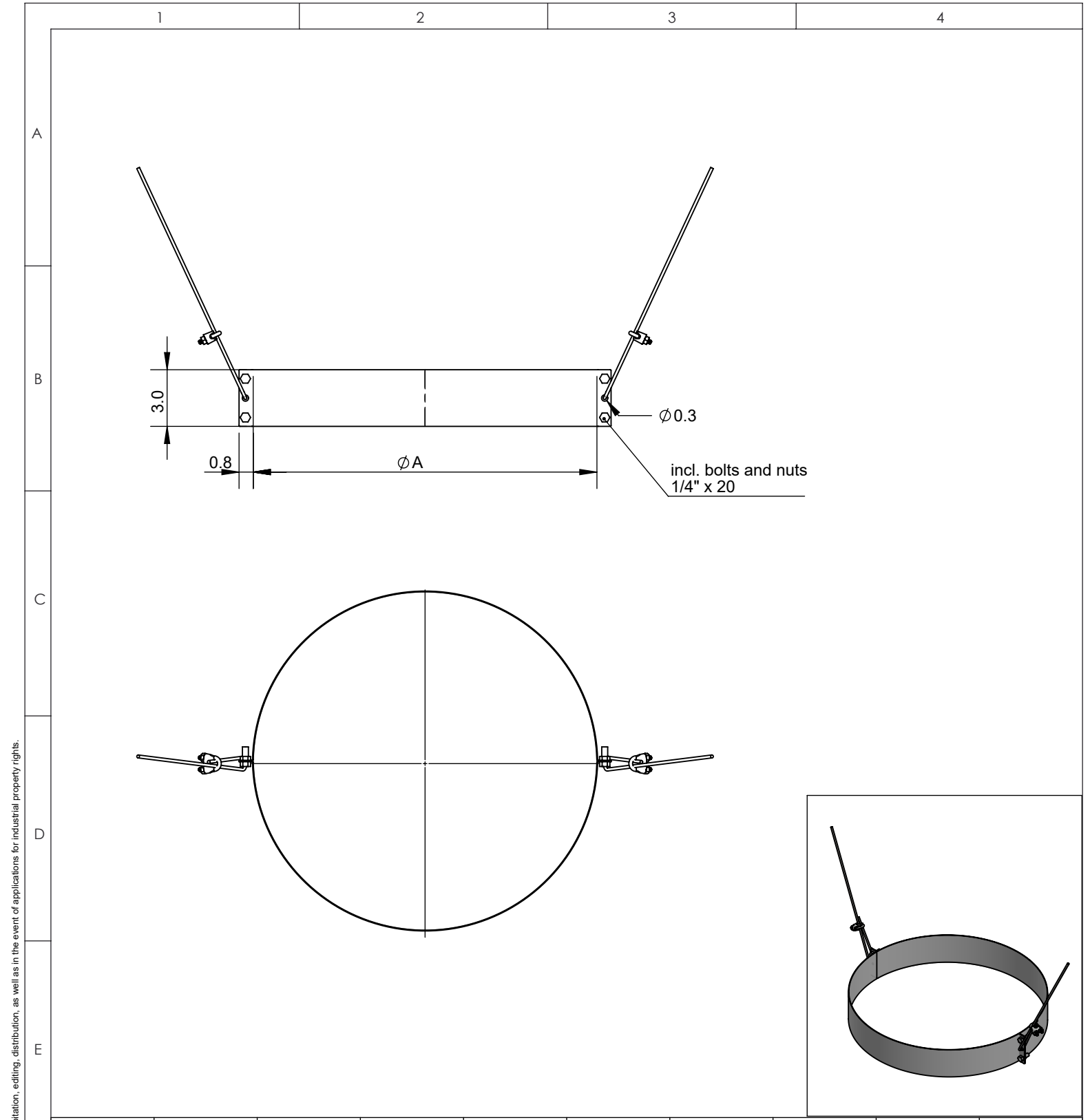
E





© NAKS Inc. All rights reserved, also regarding any disposal, exploitation, editing, distribution, as well as in the event of applications for industrial property rights.

Ø	10	11	12	13	14	16	18	20	22
A	10	11	12	13	14	16	18	20	22

material: inside/outside 304	surface: inside/outside BA	inch / lb			 NORTH AMERICAN KITCHEN SOLUTIONS INCORPORATED	revisions-no.	scale
		description 48" Fixed Length		format US LETTER			
		code SWNAKSØ-48L	sheet				
		drawing no.					
		date	name				
drawn by							
checked by							
approved by							
modified by							

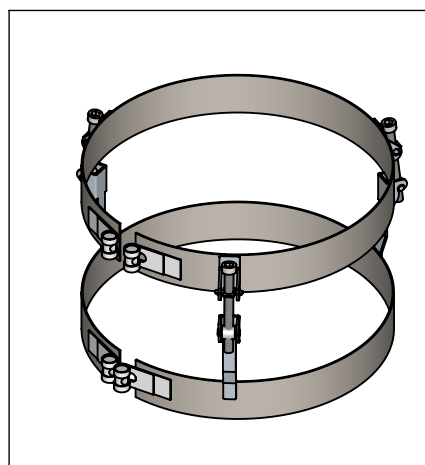
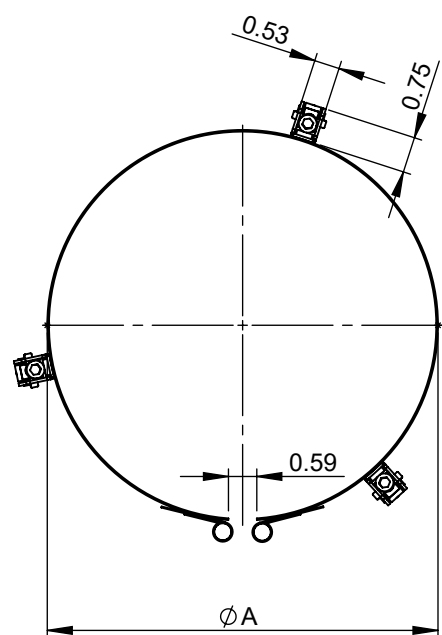
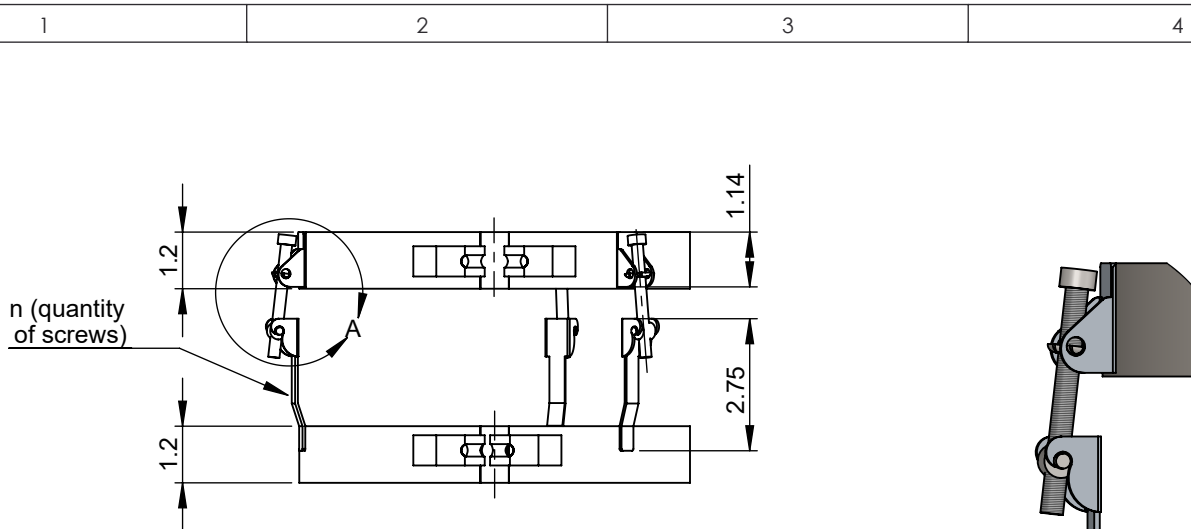




Ø	10	11	12	13	14	16	18	20	22
A	10	11	12	13	14	16	18	20	22

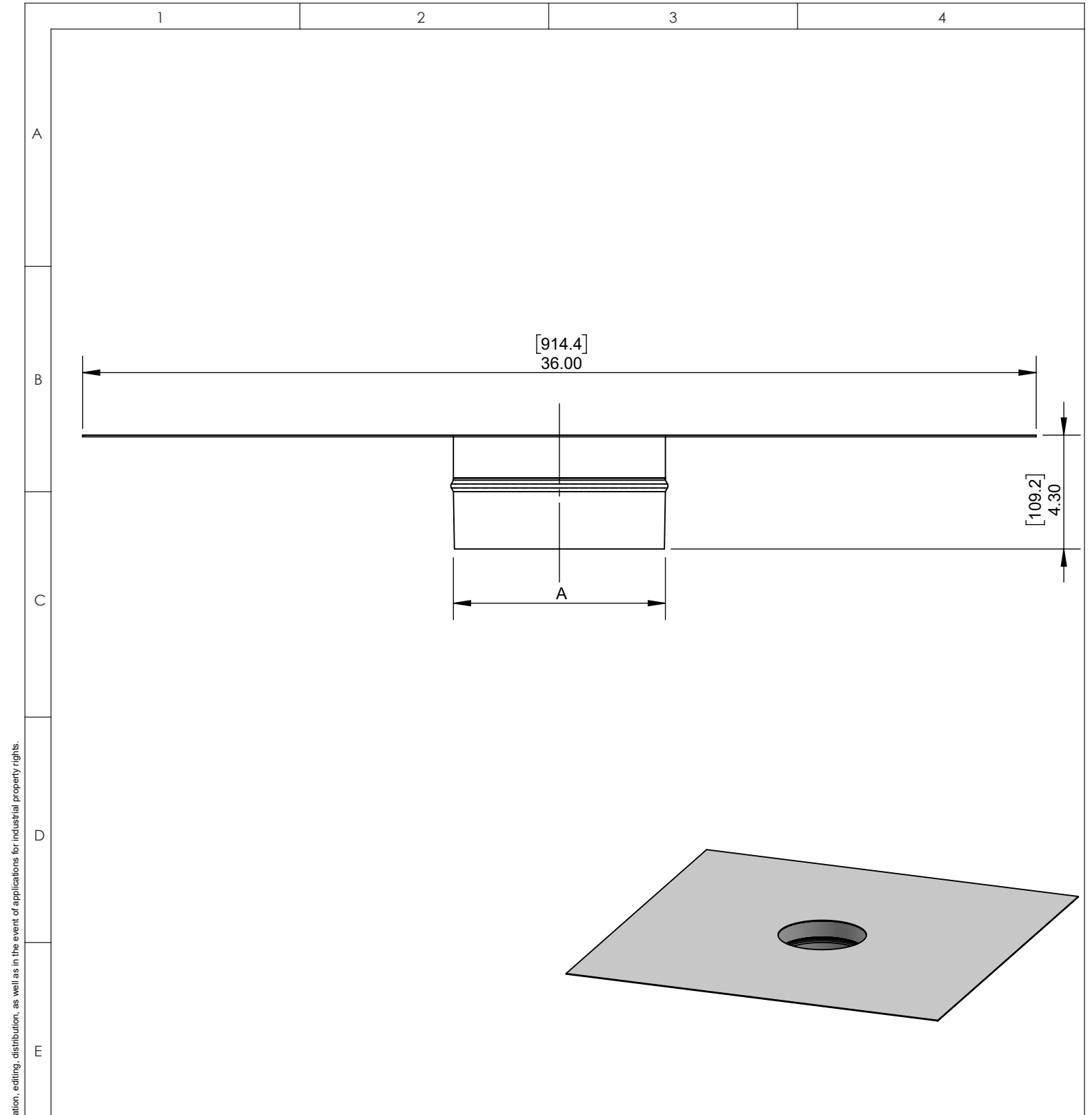
F	material: inside/outside	304	surface: inside/outside	BA	inch / lb		 NORTH AMERICAN KITCHEN SOLUTIONS INCORPORATED	scale
			revisions-no.		A			format
			date	name	description			US LETTER
			drawn by					sheet
			checked by					
		approved by				code		
		modified by				SWNAKSØ-LSB		
						drawing no.		

© NAKS Inc. All rights reserved, also regarding any disposal, exploitation, editing, distribution, as well as in the event of applications for industrial property rights.



© NAKS Inc. All rights reserved, also regarding any disposal, exploitation, editing, distribution, as well as in the event of applications for industrial property rights.



\varnothing	10	11	12	13	14	16	18	20	22				
A	10	11	12	13	14	16	18	20	22				
material: inside/outside	304	surface: inside/outside	BA	inch / lb		 NORTH AMERICAN KITCHEN SOLUTIONS INCORPORATED				scale			
				revisions-no.						A		format	
				date	name	description				US LETTER			
				drawn by		code				sheet			
				checked by						SWNAKSØ-KLC			
				approved by									
				modified by		drawing no.							



© NAKS Inc. All rights reserved, also regarding any disposal, exploitation, editing, distribution, as well as in the event of applications for industrial property rights.

	Ø	10	11	12	13	14	16	18	20	22			
	A	10	11	12	13	14	16	18	20	22			
F	material: inside/outside	304		surface: inside/outside	BA		inch / lb				scale		
						revisions-no.				 NORTH AMERICAN KITCHEN SOLUTIONS INCORPORATED			
					date	name	description				format		
					drawn by			Fan Plate Adapter - End				US LETTER	
					checked by			36"x36"				sheet	
				approved by			code	SWNAKSØ-FPE:36x36					
				modified by			drawing no.						